

# Product data sheet

## Characteristics

# XZCR1510040H2

Jumper cable XZ, male straight M12 3 pin, female elbowed M8 3 pin, PUR 2 m



Product availability: Non-Stock - Not normally stocked in distribution facility

Price\*: 45.45 USD



### Main

Accessory / separate part category	Cabling accessory
Accessory / separate part type	Jumper cable

### Complementary

Jumper cable end 1	M12 male 3 pins straight screw-on
Jumper cable end 2	M8 female 3 pins elbowed screw-on
Cable composition	3 x 0.34 mm <sup>2</sup>
Cable length	6.56 Ft (2 m)
Wire insulation material	PUR
Cable outer diameter	0.20 In (5.2 mm)
[Ue] rated operational voltage	60 V AC 75 V DC
Line Rated Current	4 A
Insulation resistance	>= 1000 MOhm
Maximum resistance across terminals	5000 MOhm
Net weight	0.18 Lb(US) (0.08 kg)

### Environment

IP degree of protection	IP69K IP65 IP67
Product certifications	CULus
Ambient air temperature for operation	-31...194 °F (-35...90 °C) static 23...194 °F (-5...90 °C) flexing
Ambient air temperature for storage	-31...212 °F (-35...100 °C)

## Ordering and shipping details

Category	22483 - MACHINE CABLES
Discount Schedule	DS3
GTIN	03389110762679
Nbr. of units in pkg.	1
Package weight(Lbs)	3.42 Oz (97 g)
Returnability	No
Country of origin	CZ

## Packing Units

Unit Type of Package 1	PCE
Package 1 Height	0.39 In (1 cm)
Package 1 width	7.09 In (18 cm)
Package 1 Length	7.87 In (20 cm)

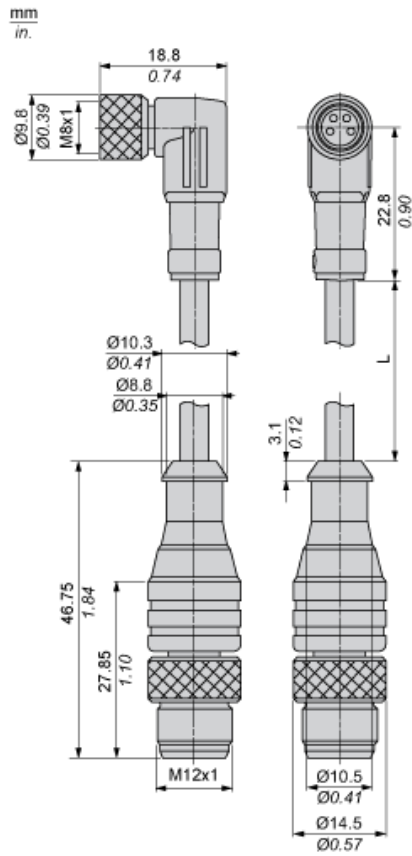
## Offer Sustainability

Sustainable offer status	Green Premium product
California proposition 65	WARNING: This product can expose you to chemicals including: Diisononyl phthalate (DINP), which is known to the State of California to cause cancer, and Di-isodecyl phthalate (DIDP), which is known to the State of California to cause birth defects or other reproductive harm. For more information go to <a href="http://www.P65Warnings.ca.gov">www.P65Warnings.ca.gov</a>
REACH Regulation	<a href="#">REACH Declaration</a>
EU RoHS Directive	Pro-active compliance (Product out of EU RoHS legal scope) <a href="#">EU RoHS Declaration</a>
Mercury free	Yes
RoHS exemption information	<a href="#">Yes</a>
Environmental Disclosure	<a href="#">Product Environmental Profile</a>
Circularity Profile	<a href="#">End Of Life Information</a>

## Contractual warranty

Warranty	18 months
----------	-----------

Dimensions

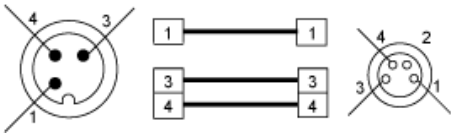


L : Length of cable

---

Connections and Schemes

---



Product Life Status : **Commercialised**